



FITTING SUPPLY COMPANY LIMITED

Screwed Globe Valve



Casting Body / Bonnet

Materials: ASTM A351-CF8M/CF8 (316/304), WCB

Pressure Rating: 150-600PSI

Shell Test at 1.5 Times Pressure Rating

Maximum Temperature: 350 deg. F (180 Deg. C)

Screwed Bonnet & Integral Seat

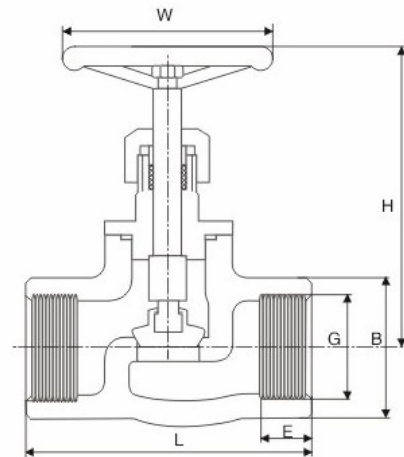
Rising Stem & Handwheel Handle

Threaded end: BSPT, NPT, DIN259, DIN2999

Size: 1/4" ~ 2"

Material Construction

Item	Parts	Material
1	Body	CF8M/ CF8/ WCB
2	Bonnet	CF8M/ CF8/ WCB
3	Stem	SS316/ SS304/ A105
4	Packing	PTFE
5	Handwheel	Aluminum
6	Disc	SS316/ SS304



Main Dimension (mm)

DN	G	L	E	B	H	W
6	1/4"	68	15	23	80	70
10	3/8"	68	15	26	80	70
15	1/2"	68	16	31	88	70
20	3/4"	82	18	38	95	70
25	1"	90	20	46	110	80
32	1 1/4"	103	21.5	56	123	100
40	1 1/2"	122	23	63	135	100
50	2"	140	24.5	76	150	100

Screwed Gate Valve



Casting Body / Bonnet

Materials: ASTM A351-CF8M/CF8 (316/304), WCB

Pressure Rating: 150-600PSI

Shell Test at 1.5 Times Pressure Rating

Maximum Temperature: 350 deg. F (180 Deg. C)

Screwed Bonnet & Integral Seat

Rising Stem & Handwheel Handle

Threaded end: BSPT, NPT, DIN259, DIN2999

Size: 1/4" ~ 2"

Material Construction

Item	Parts	Material
1	Body	CF8M/ CF8/ WCB
2	Bonnet	CF8M/ CF8/ WCB
3	Stop ring	SS316/ SS304/ A105
4	Stem	SS316/ SS304/ A105
5	Packing	PTFE/ RPTFE
6	Handwheel Nut	S316/ SS304
7	Handwheel	Aluminum
8	Packing nut	SS316/ SS304/ A105
9	Gland	SS316/ SS304/ A105
10	Lock nut	SS316/ SS304/ A105
11	Gasket	PTFE/ RPTFE
12	Disc	SS316/ SS304

Main Dimension (mm)

Size	D	L	H	D1
1/2"	15	55	92	70
3/4"	20	60	99	70
1"	25	66	113	80
1.1/4"	32	76	128	80
1.1/2"	40	86	147	90
2"	50	96	168	100

